



CamOne Gravity Sports 2D Gimbal



Manual

This manual is available at: www.CamOneTec.com/sportsgimbal

Vers. 1.0

"FlyCamOne" and "CamOne" are registered trademarks of ACME the game company GmbH, Germany

© copyright 2014 by ACME the game company GmbH

This user manual is protected by international copyright laws. No part of this manual may be reproduced without the prior written permission of ACME the game company GmbH in any form or by any means, electronic or mechanical, including photocopying, recording or storing in any information storage and retrieval reproduced, distributed, translated, or transmitted.

Safety Advice

WARNING:

Follow these instruction to prevent damage of the unit:

- DO NOT USE UNPROTECTED IF RAIN OR WATER. PREVENT CONTACT WITH ANY KIND OF LIQUIDS
- USE RECOMMENDED ACCESSORIES ONLY
- DO NOT DISASSEMBLE
- THERE ARE NO PARTS AT THE INSIDE THAT NEED TO ME MAINTAINED REPAIRS SHOULD BE MADE BY QUALIFIED PERSONNEL ONLY

SERVICE & SUPPORT

ACME the game company GmbH
Boikweg 24

33129 Delbrück
Germany

Phonel: +49 2944 9738 30
service@camonetec.com
or
<http://www.camonetec.com>

Warning Li-Ion batteries

WARNING Li-Ion BATTERY

- Mishandling the battery may occur explosion, fire and smoke including damage of health or goods. It will also reduce battery performance.
- Never charge a damaged LiPo battery pack.
- Stop charging if the LiPo battery pack is getting deformed (blown up).
- Charge and store the Li-Ion battery pack at a temperature of 0°C to 40°C – avoid a temperature higher than 50°C when discharging.
- Do not shortcut – Risk of explosion and fire!

CE Declaration

Herewith we declare that this item is in accordance with the essential requirements and other relevant regulations of the directive 2004/108/EC. A copy of the original declaration of conformity can be obtained at the address above.



To dispose the battery, remove it and take it to a resource recovery facility.



WEEE Reg. Nr.: DE64989527

Information for disposal of crossed Bin marked products

This symbol is marked on a product or packaging, it means that the product including the batteries must not be disposed of with your general household waste. Only discard electrical/electronic items in separate collection schemes, which cater for the recovery and recycling of materials contained within. Your co-operation is vital to ensure the success of these schemes and for the protection of the environment.

Content of the box

Please check the completeness before you use the product

Gimbal	Camera bracket 2x	Small parts, screws etc.
		
3x Li-Ion Cells	Charger	
		

Important Note!

More information and updates on this manual are available at CamOneTec (<http://www.CamOneTec.com>).

Please follow this manual before you assemble the product!

Index

Safety advice.....	2
Content of the box / Required components.....	3
Important notes.....	3
Index.....	4
Disclaimer and Warnings.....	4
Charging and inserting the battery	5
Mounting.....	5
First use.....	7
Handling and Operation.....	8
Warranty.....	9

Disclaimer and Warnings

Read these instructions before commissioning and use of the product and its components!
With the launch of the product, you agree to the terms of the disclaimer and agree to the instructions.

Assemble the items on according to the instructions. Any changes to this or uses of Third-party products / spare parts can cause damage.

This excludes the acquisition of warranty claims!

The product is already in a functional state in the delivery condition. Take your time to start it.

There is no responsibility for damage or injury from the manufacturer, importer or distributor acquired, resulting from the use of the product.

Only use the supplied batteries!

Only start to use the product with an inserted camera!

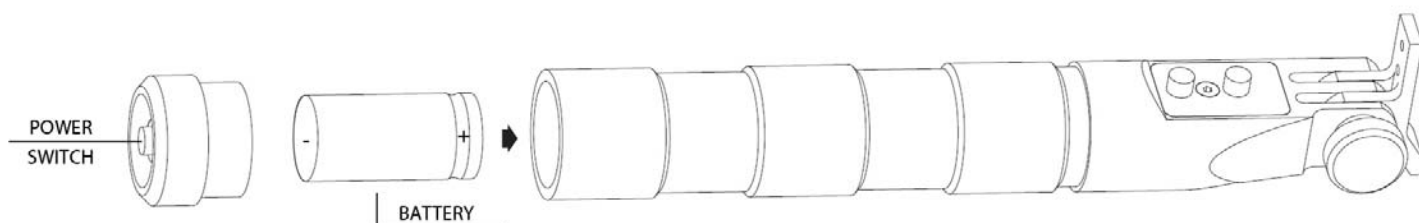
External influences while using the gimbal may damage it!

Charging and Inserting the batteries

For the operation of the gimbal, the three Li-Ion cells from the content are required. Charge these with the included charger. This is indicated by a green LED on, when battery is fully charged.

If all three cells are charged, place them with the positive pole towards the gimbal head, one after the other into the handgrip. Note that no foreign bodies or volatilities are included.

Close the grip by screwing on the cap, with the Power Switch.



Mounting

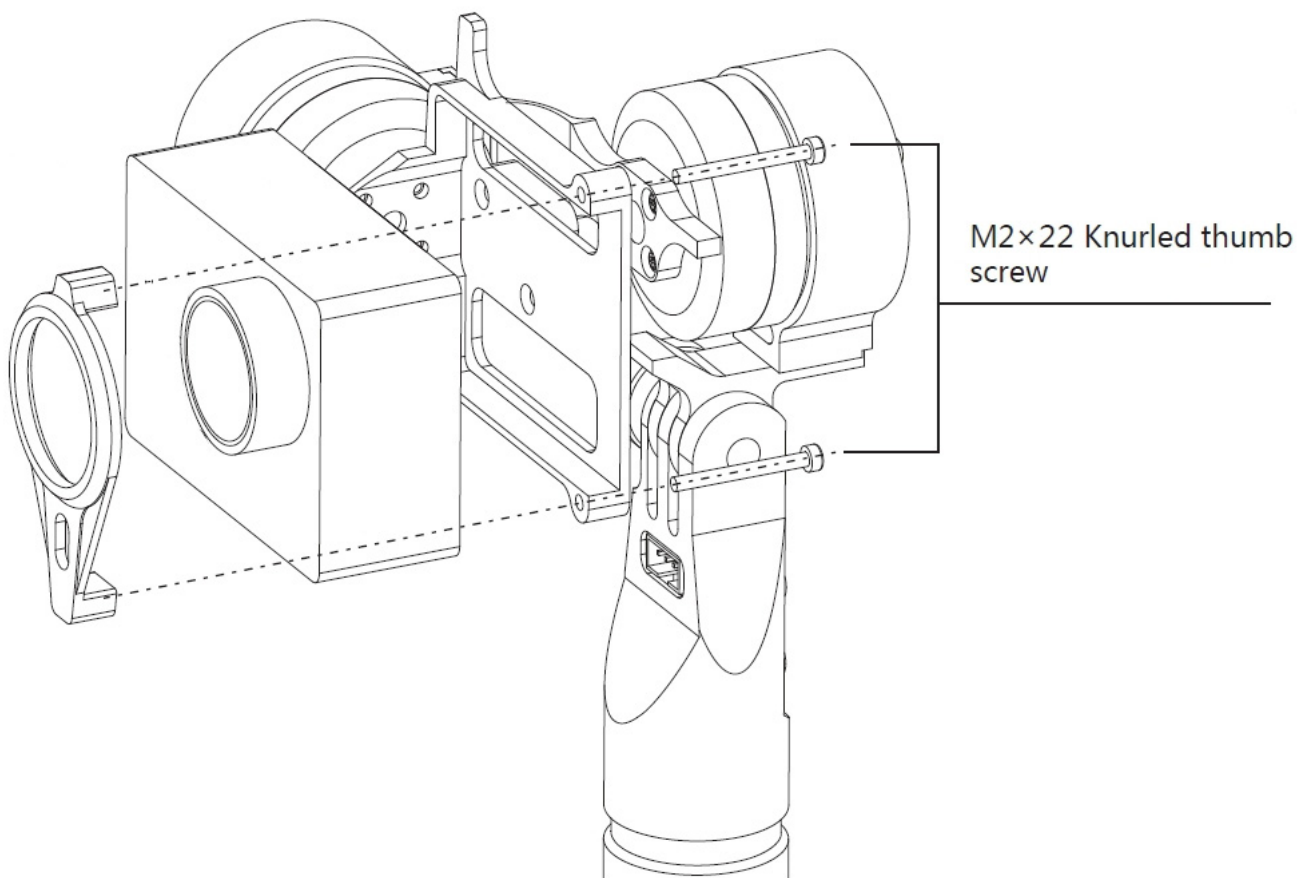
Use the enclosed screws for mounting.

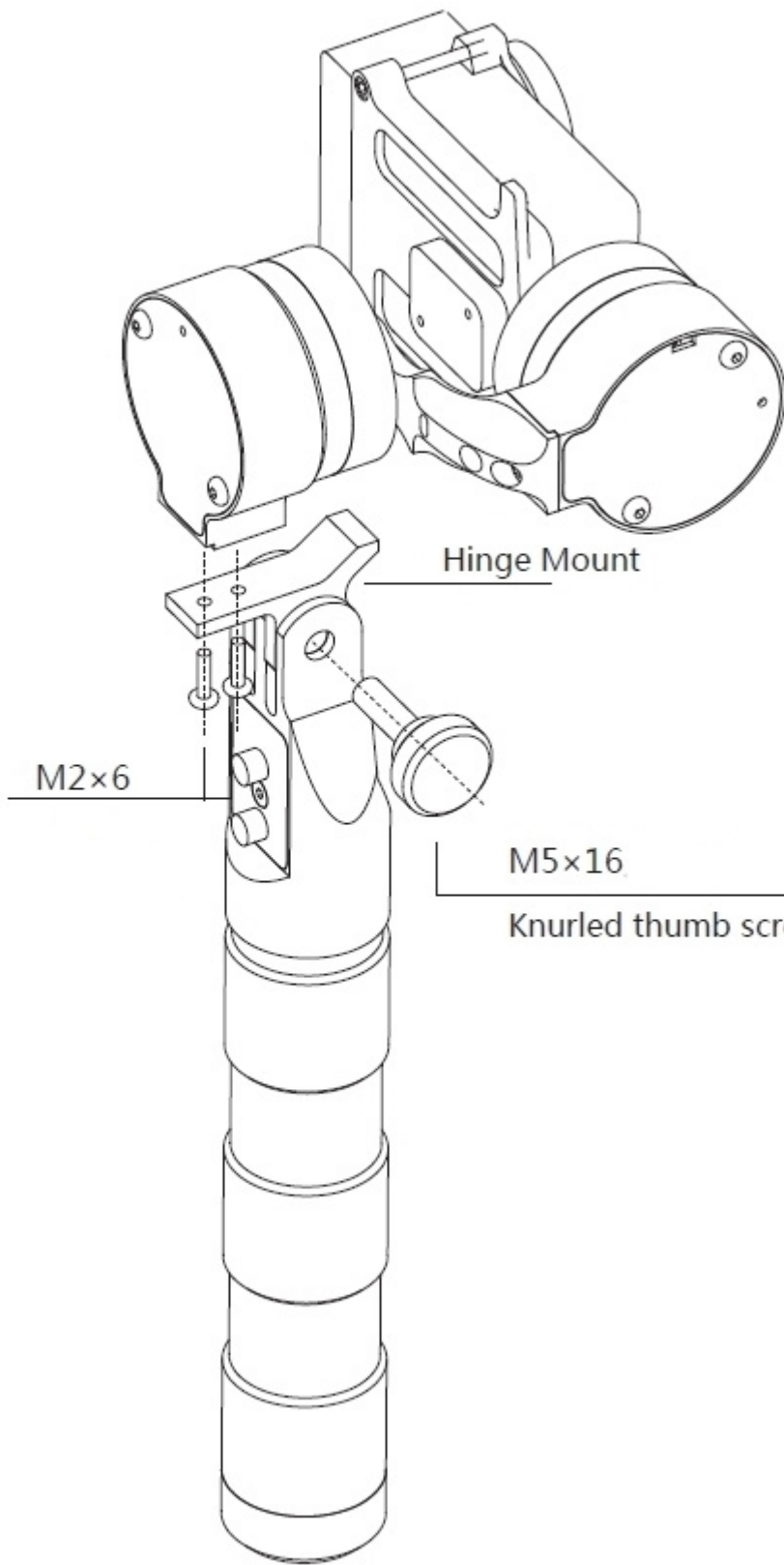
The gimbal comes with two brackets for the following camera models:

-CamOne infinity

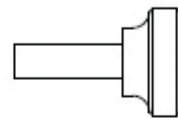
GoPro Hero 3 / 3plus series

Choose the matching bracket for your camera. Take care when mounting the bracket that it is not tilted or jammed. Place the camera as shown on the below picture. Screw it with the supplied M2x22 screws.





Hinge Mount



M5x16 Knurled thumb screw

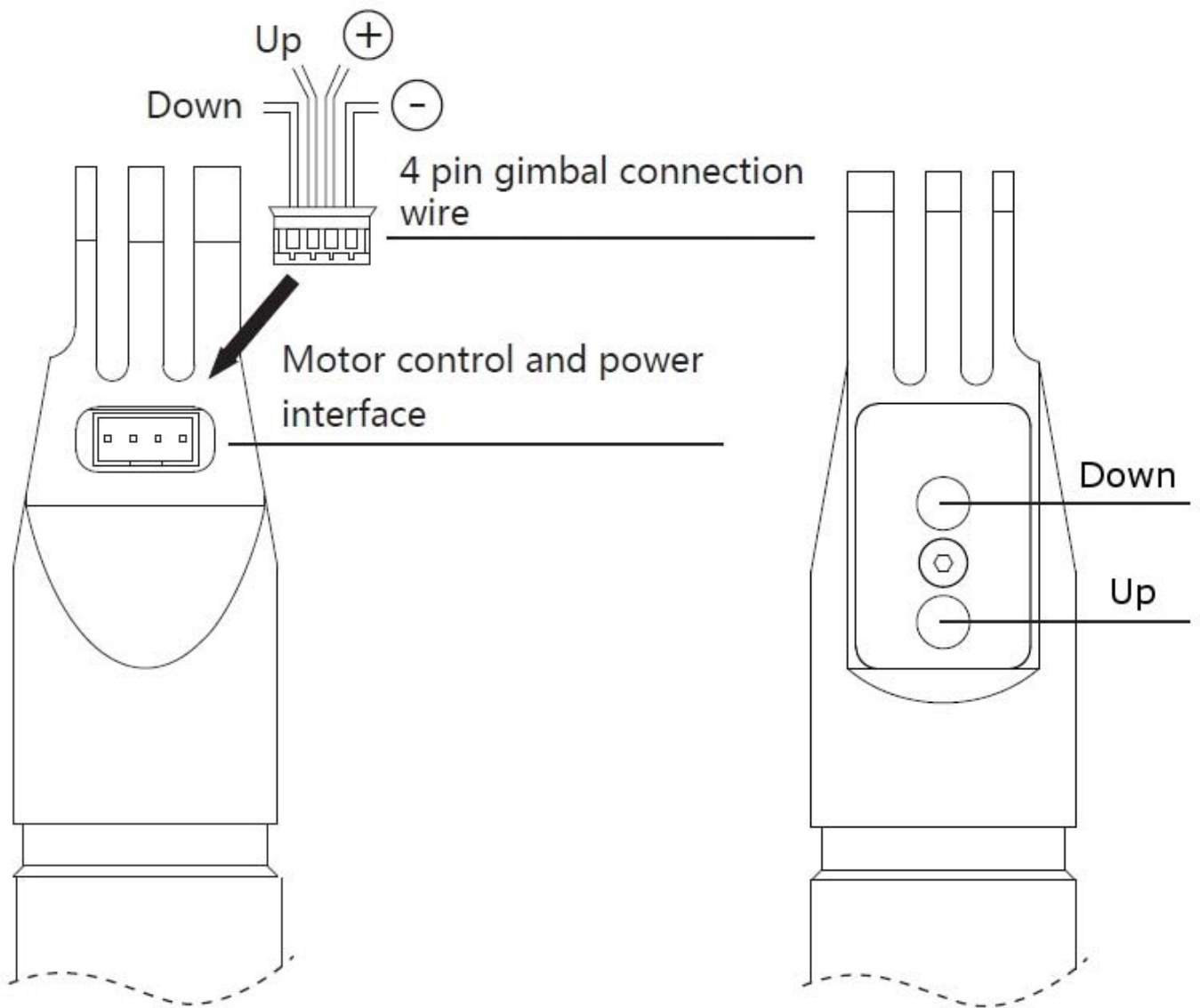


M2x6 Sunk Screw



M2x22 Knurled thumb screw

Make sure that all screws are firmly tightened.



First use

All components were observed and mounted by you in accordance with the previous points. Keep the Gimbal quietly in your hand and switch it on.

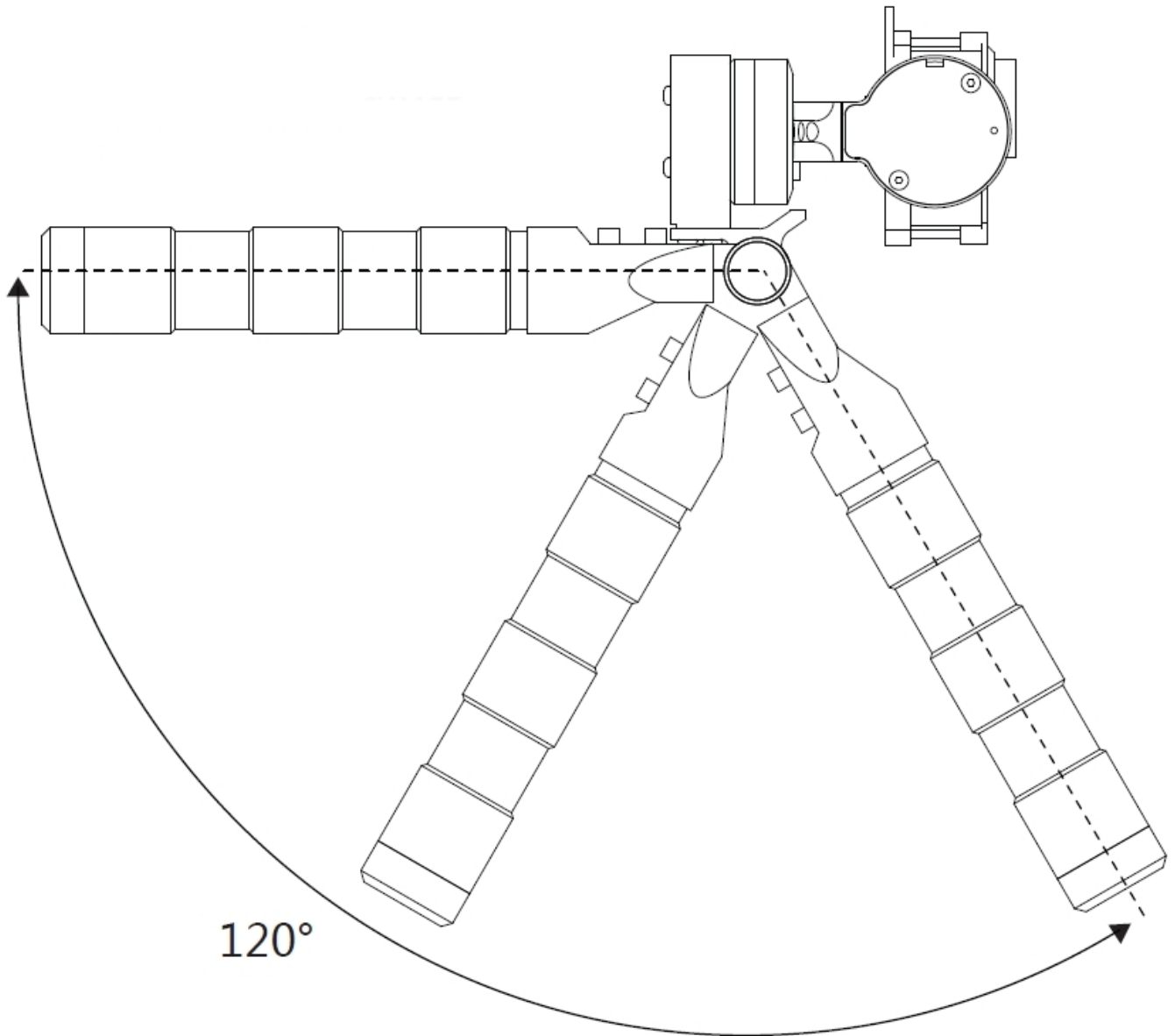
After connecting power, the blue LED on the Gimbal (on side of the logo) starts flashing. The gimbal will adjust itself automatically after a few seconds.

DO NOT MOVE THE GIMBAL BY HAND DURING THIS PROCEDURE!
Do not use the gimbal before any camera is inserted!

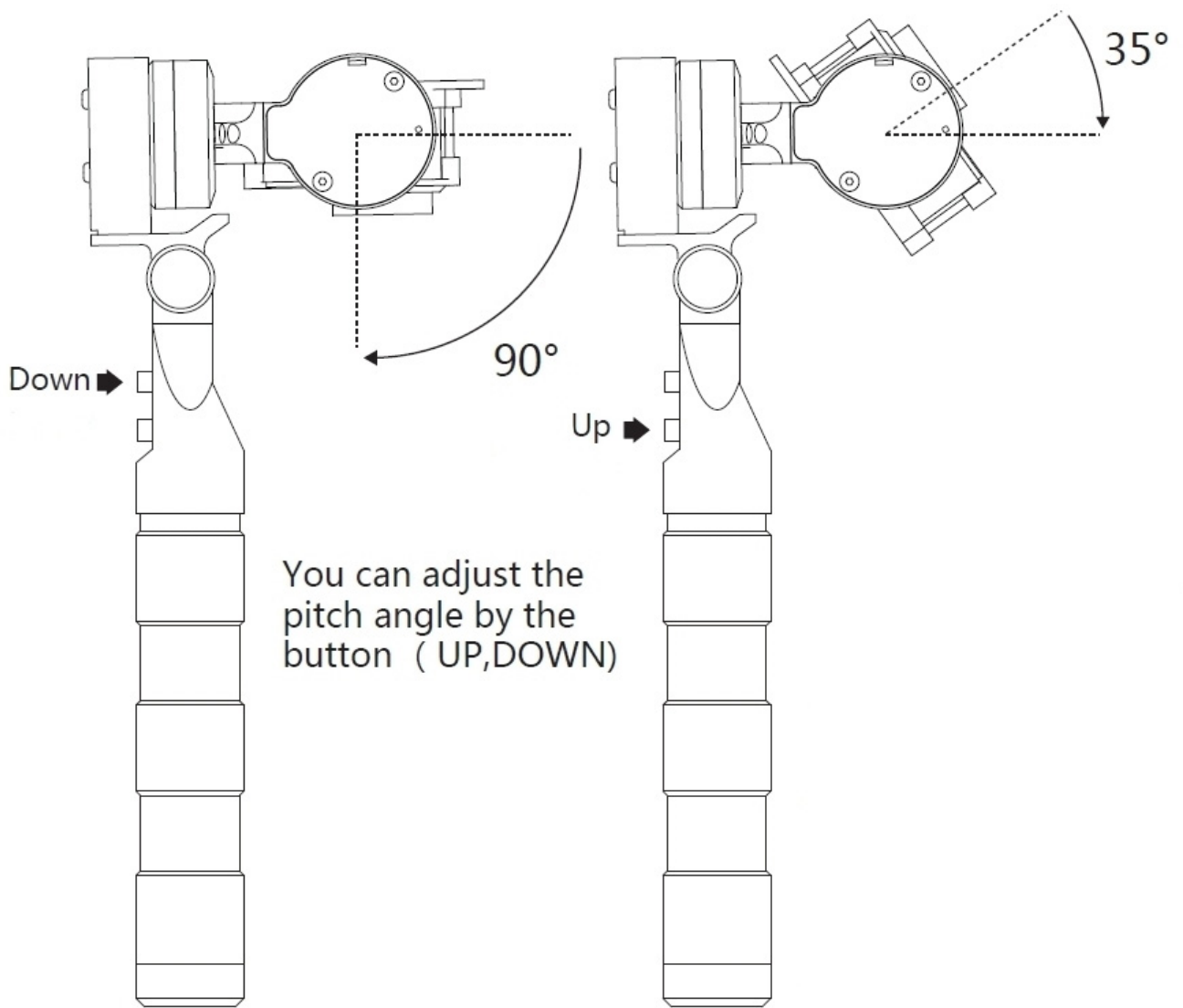
Make sure, that the functionality of the gimbal won't be influenced through dirt or moisture!

Handling and Operation

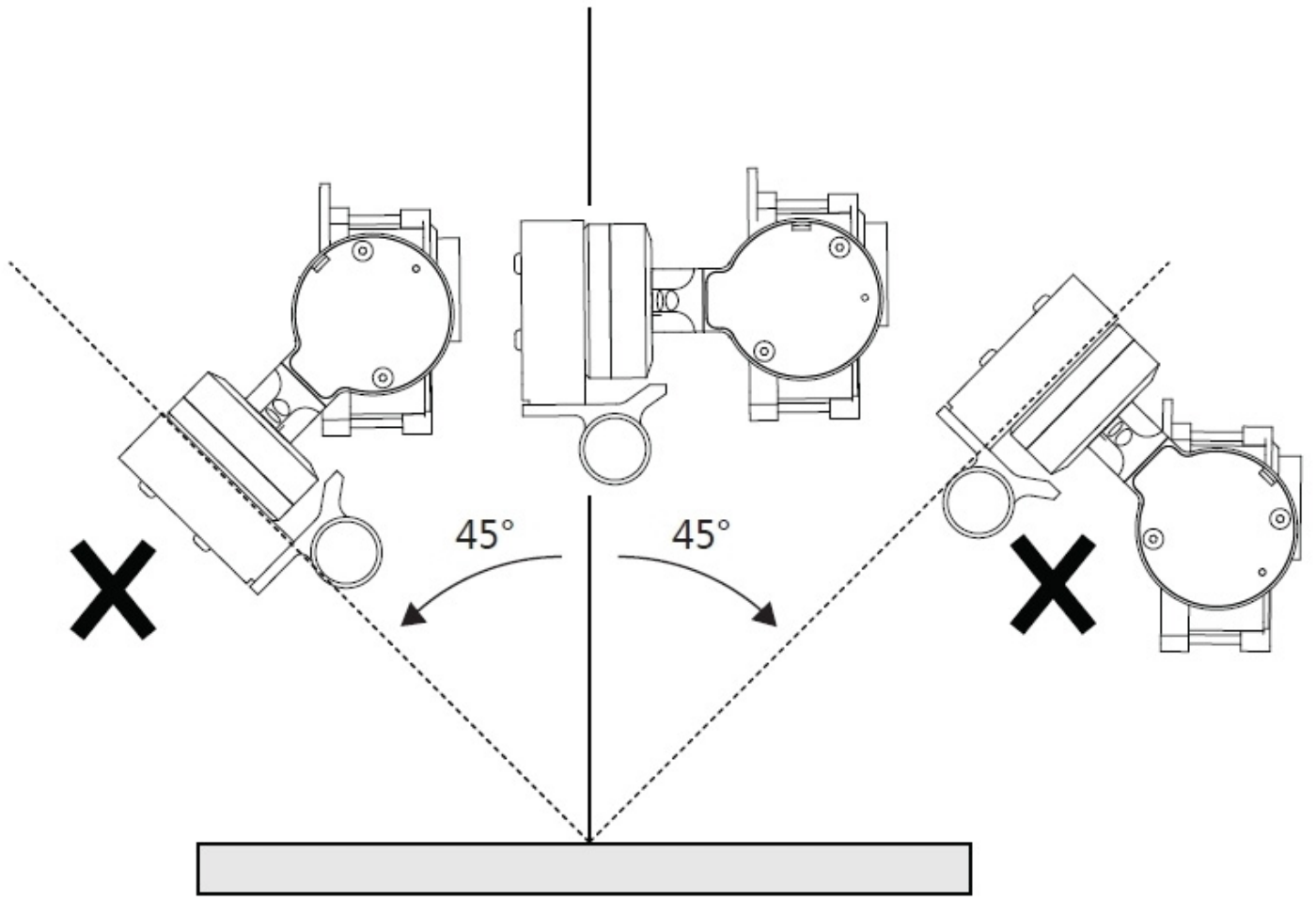
The handgrip can be adjusted to an angle of 120°.



The camera adjustment can be controlled through the 2 buttons.



Make sure, that the head of the gimbal does not overdrive 45°. Above this angle, you cannot set the adjustment.



Horizontal

The angle between the roll motor and the vertical of the ground should be less than 45°

Warranty

The consumer is without prejudice to any claim against the seller a Manufacturer's Guarantee under the conditions set out below:

» New devices and their components , or arising from manufacturing and /Material faults within 24 months of purchase develop a fault , are of ACME the game company GmbH exchanged at its option against a prior -art device to the original purchaser or repaired free of charge . For wear parts, this warranty is valid for 3 months from purchase.

"This warranty does not apply if the device defect is attributable to improper treatment and / or non-observance of the information presented is based.

"This warranty does not extend to self- paid by the customer services (eg conversions).

»Warranty claims are to be claimed at once, to the knowledge of the warranty claim .

"Ownership of devices or components that are returned to ACME the game company GmbH in the framework of exchange, become the property ACME the game company GmbH.

» By services rendered under warranty, the warranty period is not extended

"Insofar as no Guarantee default exists, ACME the game company GmbH reserves the right to charge the customer for replacement, repair, or shipping costs. The customer will be informed in advance.

Service & Support

ACME the game company GmbH
Westwood
Boikweg 24
33129 Delbrück
Germany

Phone: +49 2944 9738 30

E-Mail: service@camonetec.com